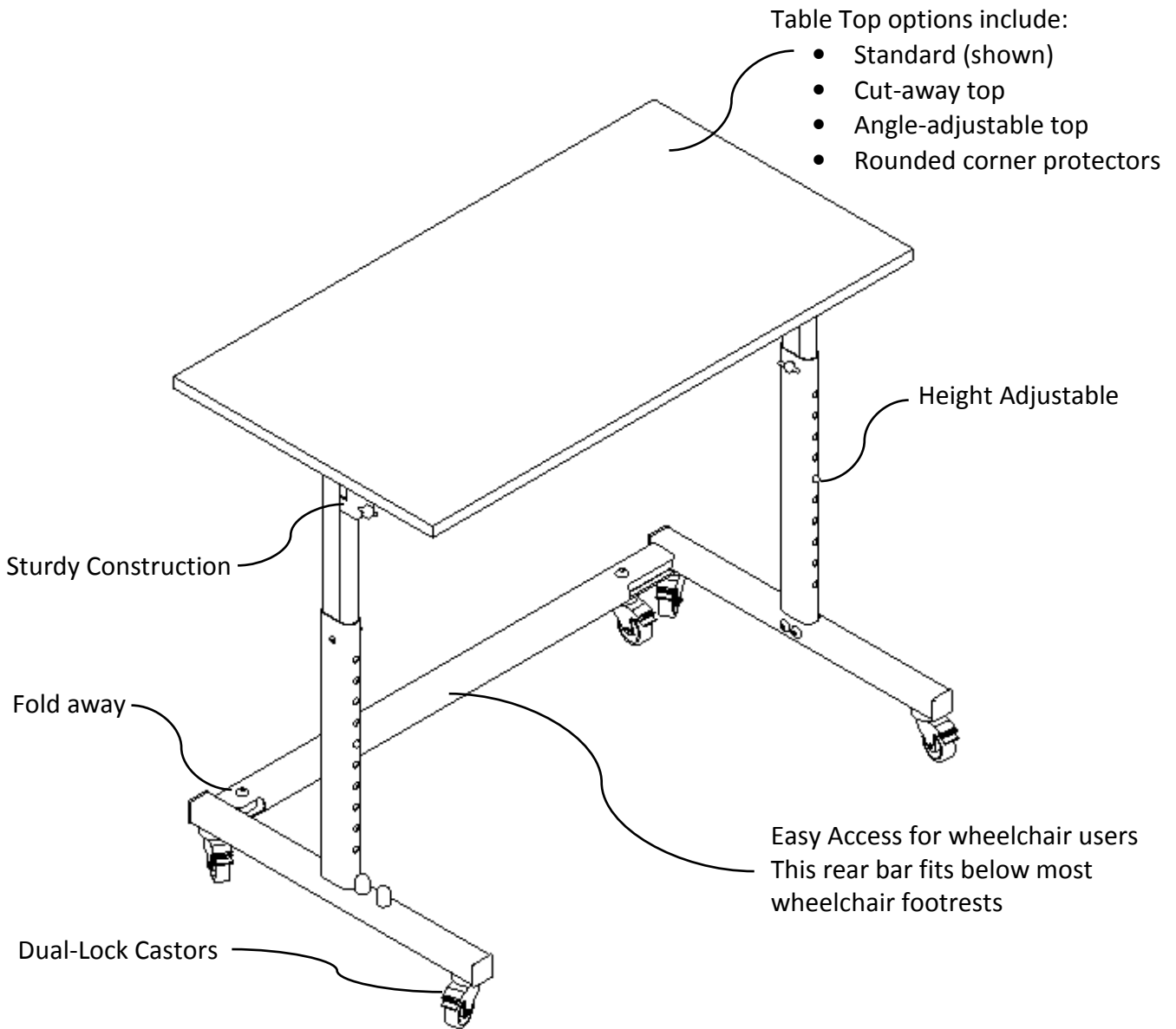


# **NEATER TABLE - Instruction Manual**

Originally developed for use with Neater Eaters, the Neater Table is very accessible for wheelchair users. It has become popular for other activities.

## **Features**



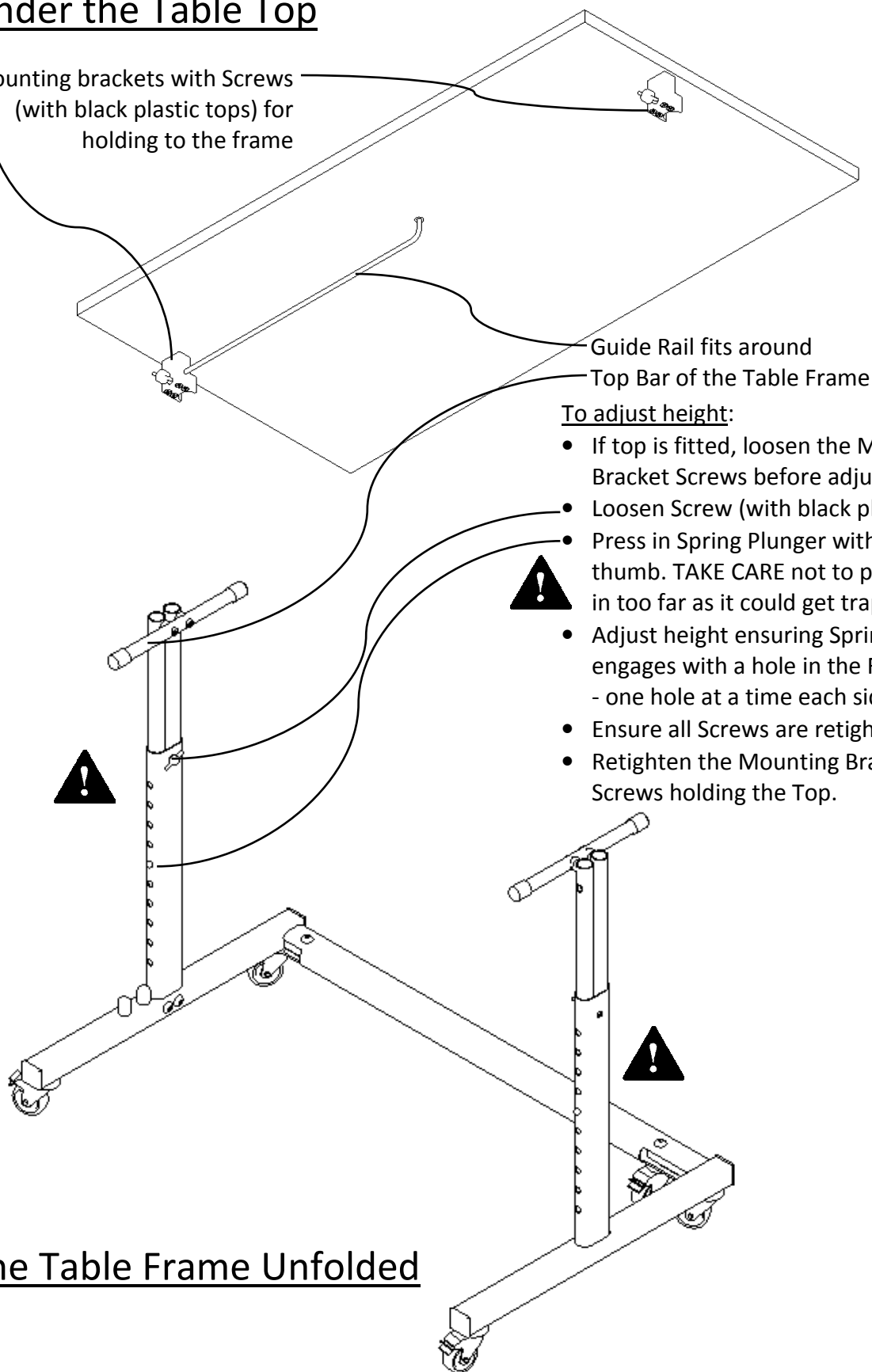
### **CE Important – Safety**

- Ensure the set-up is stable & strong enough for your use.
- Beware of finger traps when adjusting or folding the table.
- Ensure all fixing screws are tight.
- Please do not allow people to sit on the Neater Table!
- Ensure all castors are locked before use.
- Read all instructions carefully.

**Neater Solutions Limited**  
12 Burlington Road, Buxton  
Derbyshire, SK17 9AL, UK  
**tel:** +44 (0)1298 23882  
**fax:** +44 (0)1298 23883  
**email:** info@neater.co.uk

## Under the Table Top

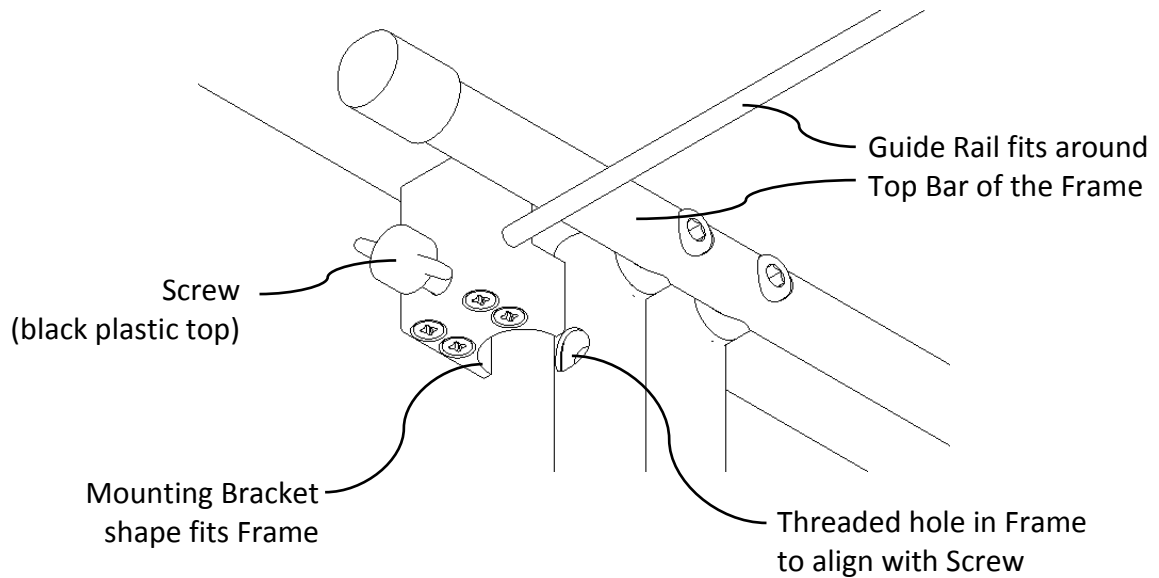
Mounting brackets with Screws  
(with black plastic tops) for  
holding to the frame



## The Table Frame Unfolded

## Under the Table Top - detail

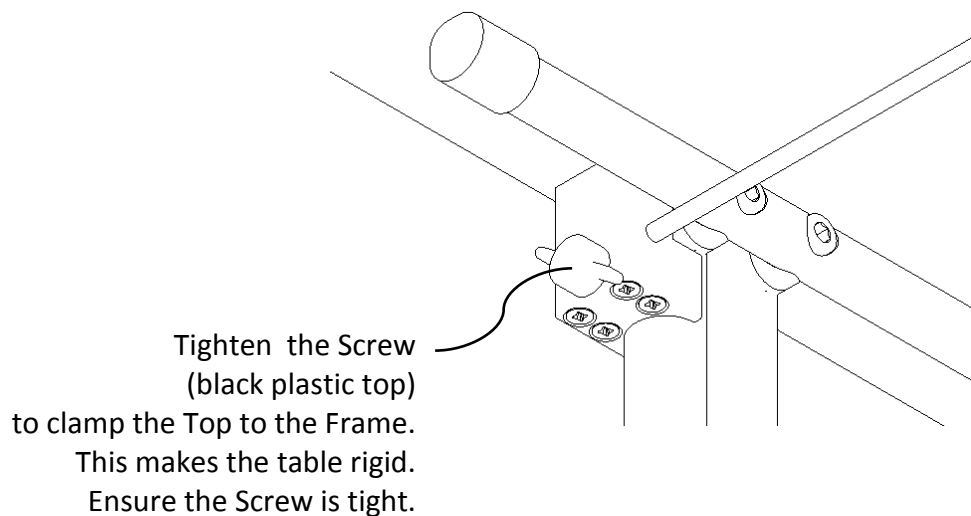
### Table Top sitting on the Frame but not clamped



#### Hint - fitting the Table Top to the Frame:

Ensure the Table Frame is fully open and look underneath to ensure the Mounting Brackets are aligned with the Frame so the Screws can be screwed into the threaded holes and tightened.

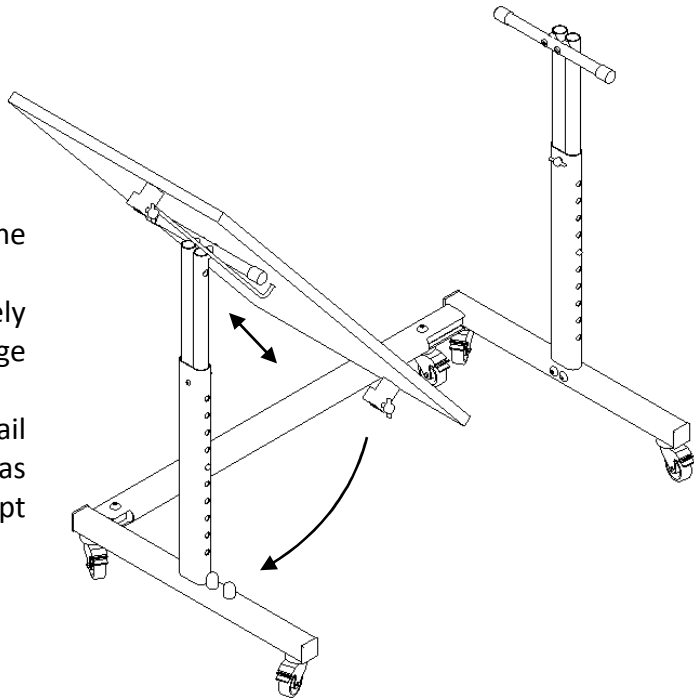
### Fully clamped up



# Folding up the Neater Table

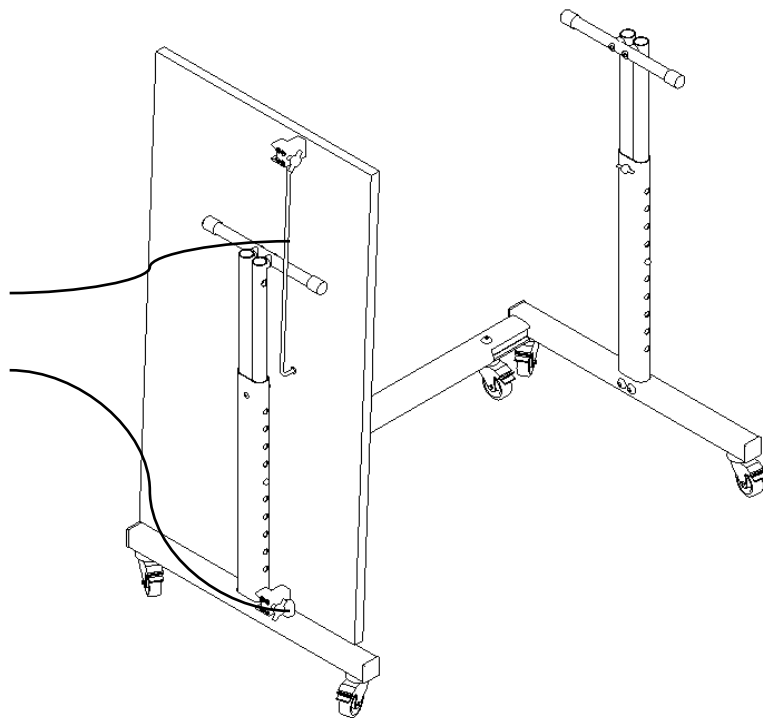
## Step 1

Release the screws holding the Table Top onto the Frame.  
You can remove the Top completely from the Frame for separate storage or transport.  
Alternatively, keep the Guide Rail around the Top Bar of the Frame as you slide the Top down to be kept on the frame as shown below.

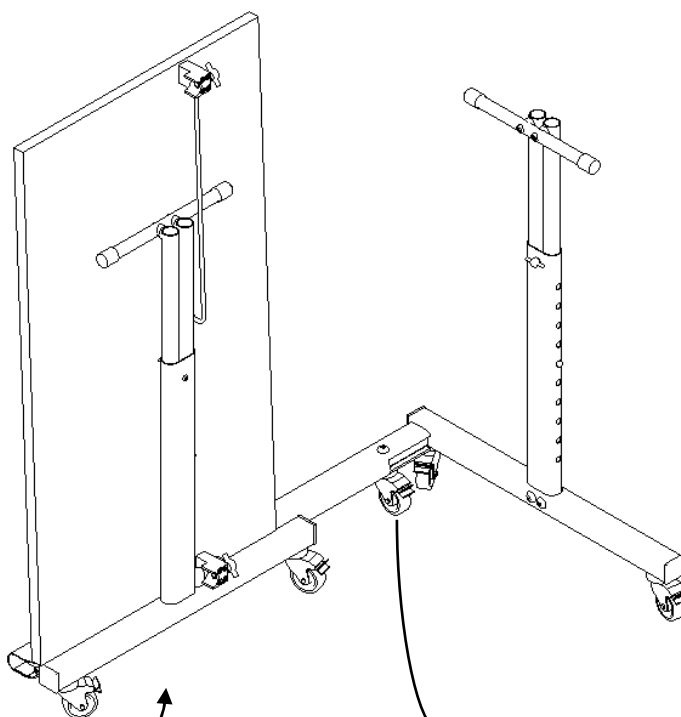


## Step 2

The Table Top can be kept on the Frame.  
The Guide Rail holds one end.  
Place the Mounting Bracket between the two Plastic Pins at the bottom to keep the Top in place on the Frame



### Step 3

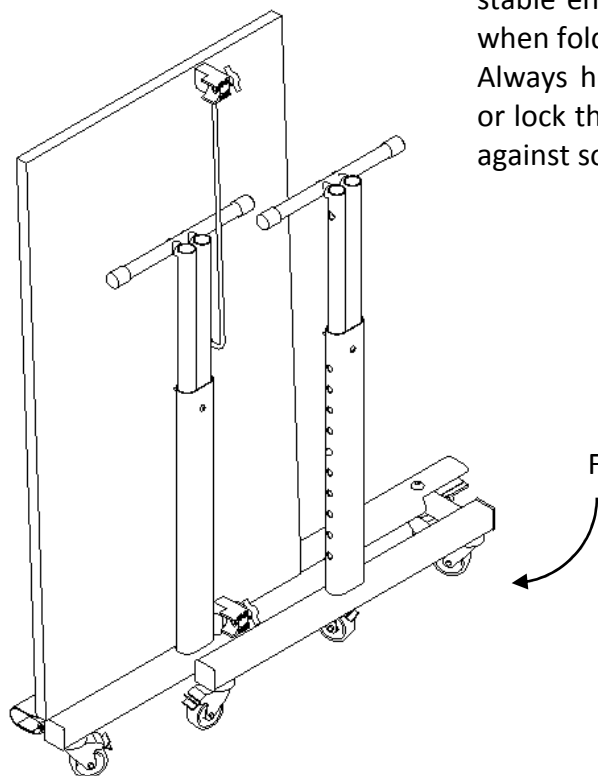


Fold in the left side

This additional castor lends support when moving the Neater Table around on its castors when it is fully folded. It does not make the table stable enough to stand alone when folded.

Always hold the folded table or lock the castors and lean it against something.

### Step 4



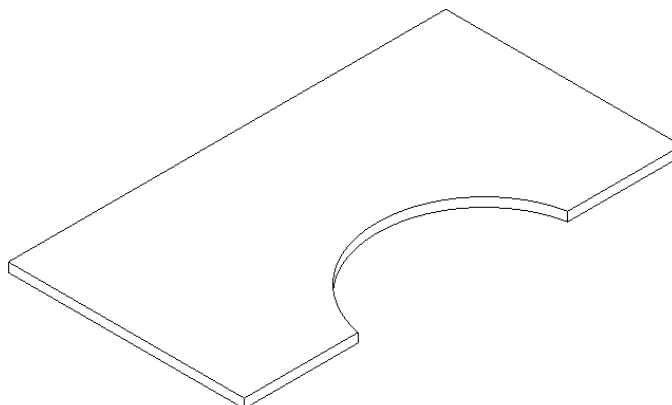
Fold in the right side

## Neater Table Options

### Cut-away Table Top

(Not for use with Neater Eaters)

This allows you to sit up close and rest your forearms on the table.

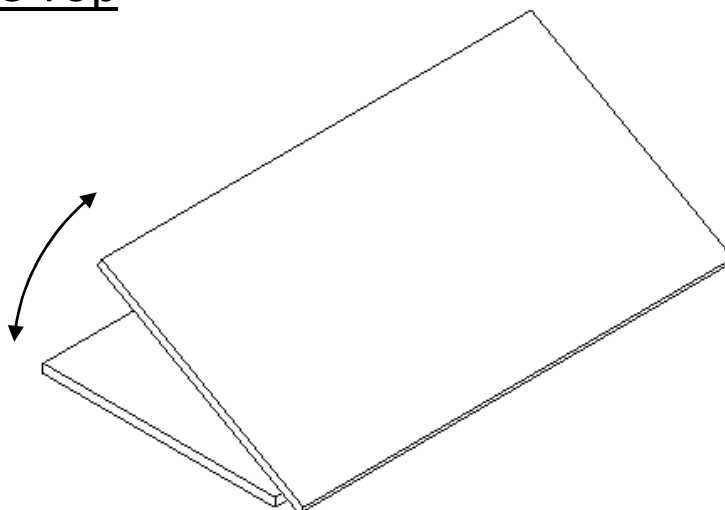


### Angle-Adjustable Table Top

(Not for use with Neater Eaters)

Lift up to the angle required.  
Auto-latching brackets hold the Top in place.

To lower:  
Lift the Top up to a steep angle to release the latching brackets and lower it down.



### Corner Protectors

Rounded soft corner protectors can be supplied to protect people from the corners of the Table Top.

Neater Solutions Limited  
12 Burlington Road, Buxton  
Derbyshire, SK17 9AL, UK  
**tel:** +44 (0)1298 23882  
**fax:** +44 (0)1298 23883  
**email:** info@neater.co.uk